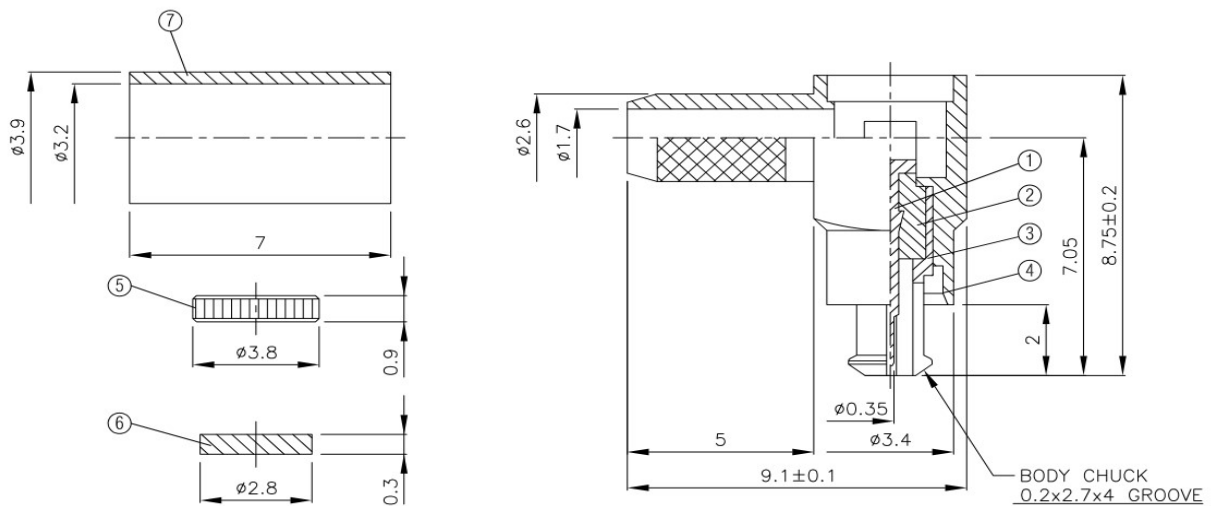
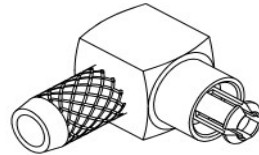
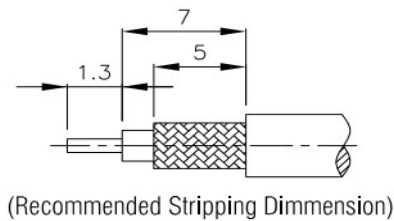


MC-Card-W

MC Card Winkelstecker crimp /

RG174, RG316



NO	DESCRIPTION	MATERIAL	Q' TY	FINISH
1	PIN	BRASS	1	GOLD
2	INSULATION	TEFLON	1	TEFLON
3	BODY 1	BE CU	1	GOLD
4	BODY 2	BRASS	1	NICKEL
5	WASHER	BRASS	1	NICKEL
6	INSULATION	TEFLON	1	TEFLON
7	RING	BRASS	1	NICKEL